



# HYUNDAI LED

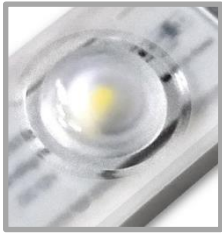
**SIGNAGE**  
**LED MODULE**



# HYUNDAI LED Channel Letter LED Module

## H-LED<sub>333</sub>

HYUNDAI



H-LED 333 is the best and cost effective LED lighting Solution For Small or Medium size of channel letters and boxes.

GLOBAL  
HYUNDAI  
GROUP

5 Years  
warranty

10 Years  
Field  
Experience

Slim

IP67

160°

W,R,  
G,B

50,000H  
LIFETIME

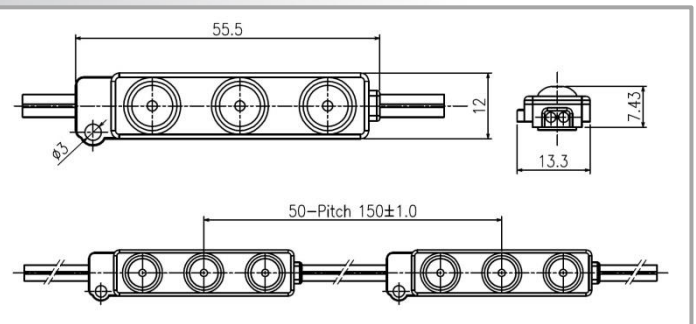
12VDC

EASY  
INSTALLATION

CE

RoHS

C<sub>UL</sub> US  
E258512



Size : 55.5(L) x 13.3(W) x 7.4(H)mm

Model (Model No.)	Input Vol.	Power Con.	CCT	Beam angle	CRI	Lum. Flux	Lum. Efficacy	Module No. per a pack
H-LED 333 6500K (BFL333-DW12)	12VDC	0.66W	6500K	160°	Ra80	66 lm	100 lm/W	50modules (7.5m)  Module pitch 150mm
H-LED 333 3000K (BFL333-DL12)	12VDC	0.66W	3000K	160°	Ra80	60 lm	91 lm/W	
H-LED 333 RED (BFL333-DR12)	12VDC	0.66W	625nm	160°		21 lm		
H-LED 333 GREEN (BFL333-DG12)	12VDC	0.66W	525nm	160°		35 lm		
H-LED 333 BLUE (BFL333-DB12)	12VDC	0.66W	465nm	160°		12 lm		

Operating Temp. : -20°C ~ +70°C

# HYUNDAI LED Channel Letter LED Module

## H-LED<sub>366</sub>

HYUNDAI



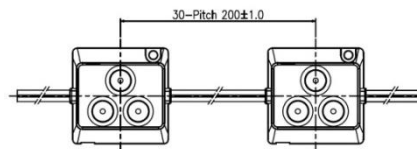
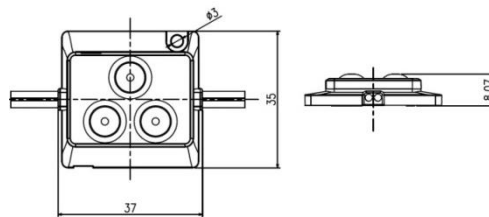
H-LED 366 is the best and cost effective LED lighting Solution For Medium or Large size of channel letters and boxes.

GLOBAL HYUNDAI GROUP    5 Years warranty    10 Years Field Experience

Slim    IP67    160°

50,000H LIFETIME    12VDC    EASY INSTALLATION

CE    RoHS    CULUS E258512



Size : 37(L) x 35(W) x 8.08(H)mm

Model (Model No.)	Input Vol.	Power Con.	CCT	Beam angle	CRI	Lum. Flux	Lum. Efficacy	Module No. per a pack
H-LED 366 6500K (BFL366-DW12)	12VDC	1W	6500K	160°	Ra80	100 lm	100 lm/W	30modules (6m) Module pitch 200mm

Operating Temp. : -20°C ~ +70°C

# HYUNDAI LED Back-lit Box Sign LED Module



H-LED 359 is the best and cost effective LED lighting Solution  
For box sign application

**GLOBAL HYUNDAI GROUP**

**5** Years warranty

**10** Years Field Experience

**Back Light**

**IP67**

**160°**

**50,000H** LIFETIME

**24VDC**

**EASY** INSTALLATION

**CE**

**RoHS**

**CULUS** E258512

**Size : 61.8(L) x 23(W) x 8.1(H)mm**

Model (Model No.)	Input Vol.	Power Con.	CCT	Beam angle	CRI	Lum. Flux	Lum. Efficacy	Module No. per a pack
H-LED 359 6500K (BFL359-DW24)	24VDC	1.6	6500K	160°	Ra80	185 lm	<b>115 lm/W</b>	20modules (6m) Module pitch 300mm

Operating Temp. : -20°C ~ +50°C

# HYUNDAI LED Edge-lit Box Sign LED Module



H-LED 358 is the best and cost effective LED edge lighting Solution  
For slim and medium size of box sign application

*Optimized for Smaller depth boxes  
(Min. 50mm depth at single face and Min. 100mm depth at double face)*

**GLOBAL HYUNDAI GROUP**

**5** Years warranty

**10** Years Field Experience

**Edge Light**

**IP67**

**18x70°**

**50,000H** LIFETIME

**24VDC**

**EASY** INSTALLATION

**CE**

**RoHS**

**CUL US** E258512

**Size : 61.8(L) x 23(W) x 12.3(H)mm**

Model (Model No.)	Input Vol.	Power Con.	CCT	Beam angle	CRI	Lum. Flux	Lum. Efficacy	Module No. per a pack
H-LED 358 6500K (BFL358-DW24)	24VDC	1.92W	6500K	18x70°	Ra80	212 lm	<b>110 lm/W</b>	30modules (3.6m) Module pitch 120mm

Operating Temp. : -20°C ~ + 50°C

# HYUNDAI LED

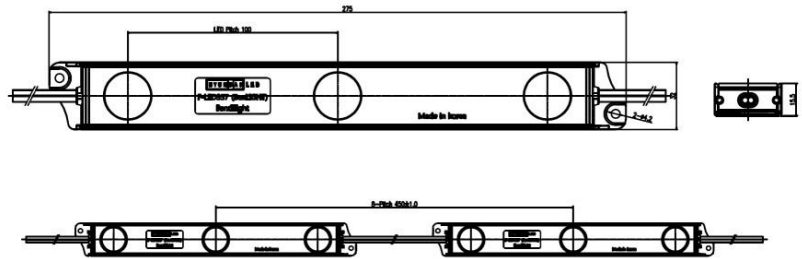
## Edge-lit Box Sign

### LED Module



*F-LED 357 is the best and cost effective LED edge lighting Solution For medium and Large size of box sign application*

- GLOBAL  
**HYUNDAI**  
GROUP
- 5** Years warranty
- 10** Years Field Experience
- Edge Light
- IP67**
- 10x50°**
- 50,000H** LIFETIME
- 12VDC**
- EASY** INSTALLATION
- 
- 
- 



Size : 275(L) x 32(W) x 15.5(H)mm

Model (Model No.)	Input Vol.	Power Con.	CCT	Beam angle	CRI	Lum. Flux	Lum. Efficacy	Module No. per a pack
F-LED 357 6500K (BFL357-DW12)	12VDC	7.5W	6500K	10x50°	Ra80	675 lm	<b>90 lm/W</b>	8modules (3.6m)  Module pitch 450mm
Operating Temp. : -20°C ~+ 50°C								